



# CDN M232, M332, M432, M432-3LN, M532

## COUPLING / DECOUPLING NETWORK (CDN)

### CDN M TYPE



**CDN M532**

- **Designed for IEC/EN 61000-4-6**
- **Mains application up to 32 A**
- **4 mm banana sockets**
- **Frequency range 150 kHz to 230 MHz**

IEC/EN 61000-4-6 specifies the design and performance of a range of coupling/decoupling networks (CDNs). Each CDN is specific to the type of cable and the intended signal carried on the cable. Teseq offers an extensive range of CDNs which fully comply with the requirements of the standard and provide a simple and reliable method of injecting RF energy into the equipment under test (EUT).

Product name	Application	Connector EUT port	Connector AE port
CDN M232	2 power lines, (L+N), ( +, - )	4 mm banana	4 mm banana
CDN M332	3 power lines, (L+N+PE), (2L+PE)	4 mm banana	4 mm banana
CDN M432	4 power lines, (2L+N+PE), (3L+PE)	4 mm banana	4 mm banana
CDN M432-3LN	4 power lines, (3L+N)	4 mm banana	4 mm banana
CDN M532	5 power lines, (3L+N+PE)	4 mm banana	4 mm banana

#### Technical specifications

Frequency range:	150 kHz to 230 MHz
Power rating (EUT- and AE port)	
AC max. voltage (line to ground):	250 V
DC max. voltage (line to ground):	400 V
Current max :	32 A
Test voltage:	3 kV DC, 2 sec
Common mode impedance (EUT port)	
150 kHz to 26 MHz:	150 Ω ±20 Ω
26 MHz to 230 MHz:	150 Ω +60 Ω / -45 Ω
Coupling path (In/Out port/EUT)	
Connection:	BNC 50 Ω
RF voltage:	<30 V
Voltage division factor (RF input to EUT port)	
150 kHz to 230 MHz:	10 dB +3 dB / -1 dB
Insertion loss (EUT / AE) f < 400 Hz:	<0.1 dB
Decoupling of CM disturbance (RF port / AE)	
150 kHz:	>20 dB
1.5 MHz:	>50 dB
30 MHz:	>50 dB
230 MHz:	>20 dB



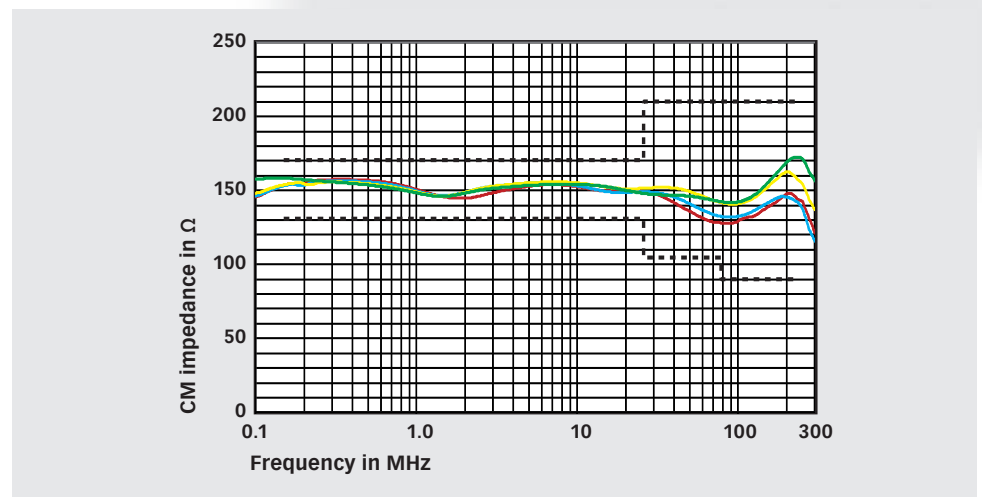
Advanced Test Solutions for EMC

# CDN M232, M332, M432, M432-3LN, M532

## COUPLING / DECOUPLING NETWORK (CDN)

### CDN M TYPE

Typical common-mode impedance, ---- IEC/EN 61000-4-6 limits, — CDN M232, — CDN M332, — CDN M432, — CDN M532



#### Mechanical specifications

Size (W x H x D): 160 mm x 160 mm x 500 mm  
 Weight: approx. 6.5 kg

#### Required adapters for test set-up calibration (test level setting procedure)

Product name	AE port		EUT port	
	150 Ω termination	Shorting adapter	Shorting adapter	150 Ω/50 Ω adapter
CDN M232	TRA U150	SAR MA20	SAR MA20A	CAL U100A
CDN M332	TRA U150	SAR MA20	SAR MA36A	CAL U100A
CDN M432	TRA U150	SAR MA36	SAR MA40A	CAL U100A
CDN M432-3LN	TRA U150	SAR MA40	SAR MA40A	CAL U100A
CDN M532	TRA U150	SAR MA50	SAR MA50A	CAL U100A

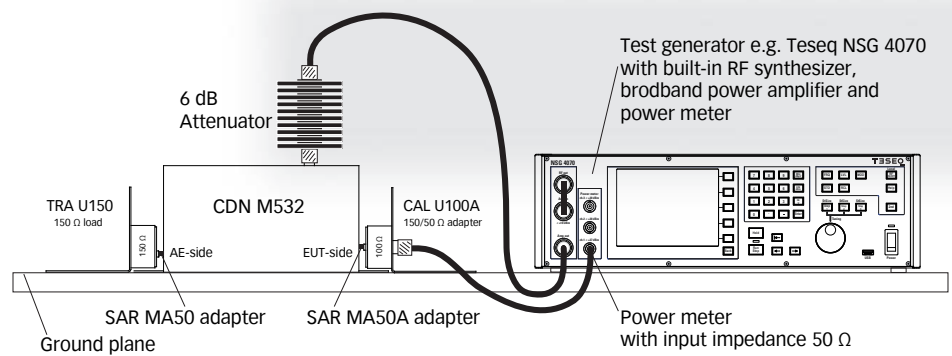


# CDN M232, M332, M432, M432-3LN, M532 COUPLING / DECOUPLING NETWORK (CDN) CDN M TYPE

## Example of a typical test set-up calibration with CDN M532



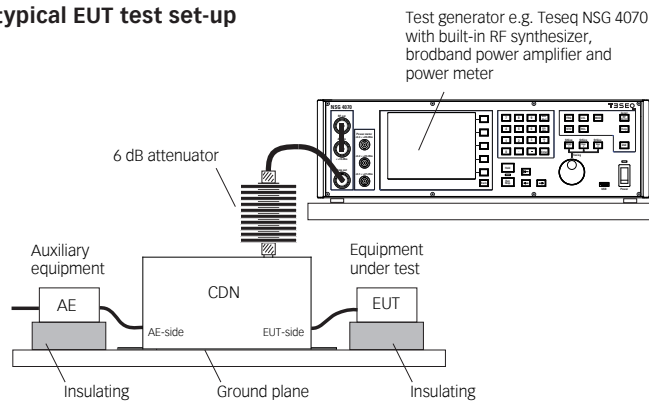
CDN M532 EUT side



## Example of a typical EUT test set-up



CDN M532 AE side



## Model No. and options

Part number	Description
244259	CDN M232 CDN M2, 32 A, 230 MHz (banana), L,N or DC
244291	CDN M232S CDN M2, 32 A, 230 MHz (banana), L,N or DC with calibration adapter set in storage case
244260	CDN M332 CDN M3, 32 A, 230 MHz (banana), L,N,PE



Advanced Test Solutions for EMC

# CDN M232, M332, M432, M432-3LN, M532

## COUPLING / DECOUPLING NETWORK (CDN)

### CDN M TYPE

#### Model No. and options (continued)

244292	CDN M332S CDN M3, 32 A, 230 MHz (banana), L,N,PE with calibration adapter set in storage case
244261	CDN M432 CDN M4, 32 A, 230 MHz (banana), 3xL,PE
244293	CDN M432S CDN M4, 32 A, 230 MHz (banana), 3xL,PE with calibration adapter set in storage case
244263	CDN M432-3LN CDN M4, 32 A, 230 MHz (banana), 3xL,N (without PE line)
244295	CDN M432-3LNS CDN M4, 32 A, 230 MHz (banana), 3xL,N (without PE line) with calibration adapter set in storage case
244262	CDN M532 CDN M5, 32 A, 230 MHz (banana), 3xL,N,PE
244294	CDN M532S CDN M5, 32 A, 230 MHz (banana), 3xL,N,PE with calibration adapter set in storage case
97-231024	CDN-TC Traceable calibration (ISO17025) for IEC 61000-4-6 requirements, order only with device CDN M, AF, S or T00x type
242401	CAL U100A Universal calibration unit in safety design (150 Ω /50 Ω adapter)
239903	TRA U150 Universal termination resistor 150 Ω AE side
239916	SAR MA20 Shorting adapter for CDN A201 ,M216, M232 and M332
242432	SAR MA20A Shorting adapter for CDN M232
239918	SAR MA36 Shorting adapter for CDN A301 and M416
242434	SAR MA36A Shorting safety adapter for CDN M316, M316B and M332
239919	SAR MA40 Shorting adapter for CDN A401 and M416-3LN
242436	SAR MA40A Shorting safety adapter for CDN M416, M416-3LN and M432
242437	SAR MA50A Shorting safety adapter for CDN M516 and M532
242425	SAR MA50 Shorting adapter for CDN M532