



CDN M116

COUPLING / DECOUPLING NETWORK (CDN)

CDN M TYPE



IEC/EN 61000-4-6 specifies the design and performance of a range of coupling/decoupling networks (CDNs). Each CDN is specific to the type of cable and the intended signal carried on the cable. Teseq offers an extensive range of CDNs which fully comply with the requirements of the standard and provide a simple and reliable method of injecting RF energy into the equipment under test (EUT).

The CDN M116 is made for single line application as used for example as additional earth connection for medical devices.



CDN M116

- Designed for IEC/EN 61000-4-6
- For PE line application
- 4 mm banana sockets

Technical specifications

Frequency range:	150 kHz to 230 MHz
Power rating (EUT- and AE port)	
Current max :	1 A
Common mode impedance (EUT port)	
150 kHz to 26 MHz:	150 Ω ±20 Ω
26 MHz to 230 MHz:	150 Ω +60 Ω / -45 Ω
Coupling path (In/Out port/EUT)	
Connection:	BNC 50 Ω
RF voltage:	<20 V
Voltage division factor (RF input to EUT port)	
150 kHz to 80 MHz:	9.5 dB ±1 dB
80 MHz to 230 MHz:	9.5 dB +3 dB / -2 dB
Insertion loss (EUT / AE) f < 400 Hz:	<0.1 dB
Decoupling of CM disturbance (RF port / AE)	
150 kHz:	>70 dB
1.5 MHz:	>60 dB
30 MHz:	>55 dB
230 MHz:	>35 dB

Mechanical specifications

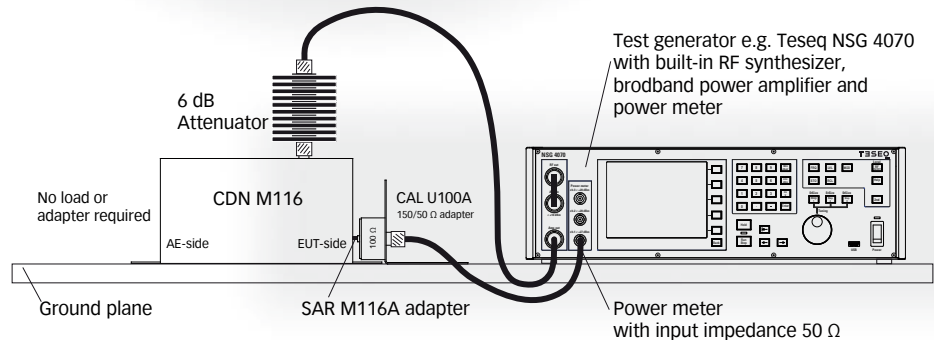
Size (W x H x D):	100 mm x 100 mm x 240 mm
Weight:	approx. 1.5 kg



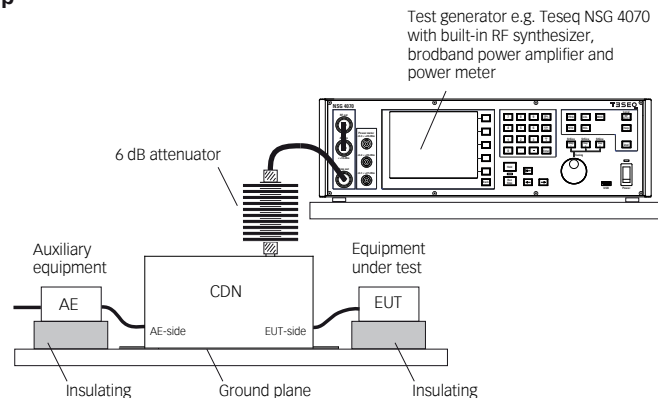
Advanced Test Solutions for EMC

CDN M116 COUPLING / DECOUPLING NETWORK (CDN) CDN M TYPE

Test set-up calibration with CDN M116



EUT test set-up



Delivery information

Part number	Description
231001	CDN M116 CDN M1, 1 A, 230 MHz (banana), PE
244111	CDN M116S CDN M1, 1 A, 230 MHz (banana), PE with calibration adapter set in suitcase
97-231024	CDN-TC Traceable calibration (ISO17025) for IEC 61000-4-6 requirements, order only with device CDN M, AF, S or T00x type
242401	CAL U100A Universal calibration unit in safety design (150 Ω /50 Ω adapter)
242431	SAR M116A Shorting safety adapter for CDN M116