



# CDN M216-10, CDN M316-10 COUPLING / DECOUPLING NETWORK (CDN) CDN M TYPE FOR 10 KHz to 80 MHz



IEC/EN 61000-4-6 specifies the design and performance of a range of coupling/decoupling networks (CDNs). Each CDN is specific to the type of cable and the intended signal carried on the cable. In addition to IEC/EN 61000-4-6 some standards require similar performance over the frequency range 10 kHz to 80 MHz.

Teseq offers CDNs also for this frequency range. Not listed CDNs may also available. Please contact Teseq for details.



CDN M316-10

- Designed for IEC/EN 61000-4-6 with extended range form 10 kHz to 80 MHz
- For M2 and M3 application
- 4 mm banana sockets

## Technical specifications

Frequency range:	10 kHz to 80 MHz
Power rating (EUT- and AE port)	
AC max. voltage (line to ground):	250 V
DC max. voltage (line to ground):	400 V
Current max :	16 A
Test voltage:	3 kV DC, 2 sec
Common mode impedance (EUT port)	
10 kHz to 26 MHz:	150 Ω ±20 Ω
26 MHz to 80 MHz:	150 Ω +60 Ω / -45 Ω
Coupling path (In/Out port/EUT)	
Connection:	BNC 50 Ω
RF voltage:	<30 V
Voltage division factor (RF input to EUT port)	
10 kHz to 80 MHz:	10 dB ±1 dB
Insertion loss (EUT / AE) f < 400 Hz:	<0.1 dB
Decoupling of CM disturbance (RF port / AE)	
10 kHz:	>20 dB
150 kHz:	>35 dB
26 MHz:	>45 dB
80 MHz:	>25 dB

## Mechanical specifications

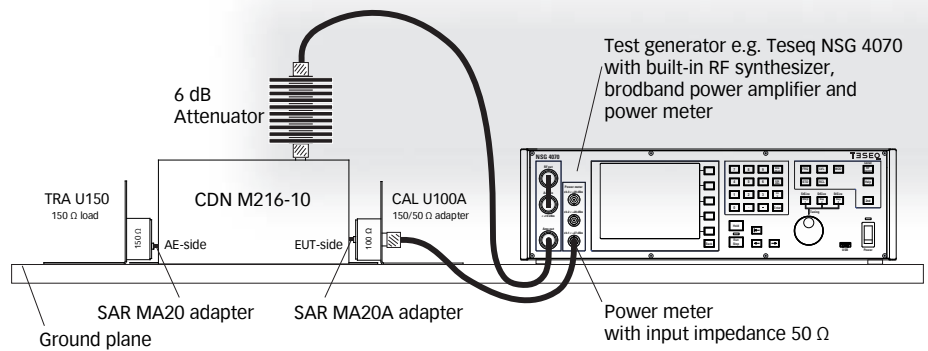
Size (W x H x D):	100 mm x 100 mm x 240 mm
Weight:	approx. 1.5 kg



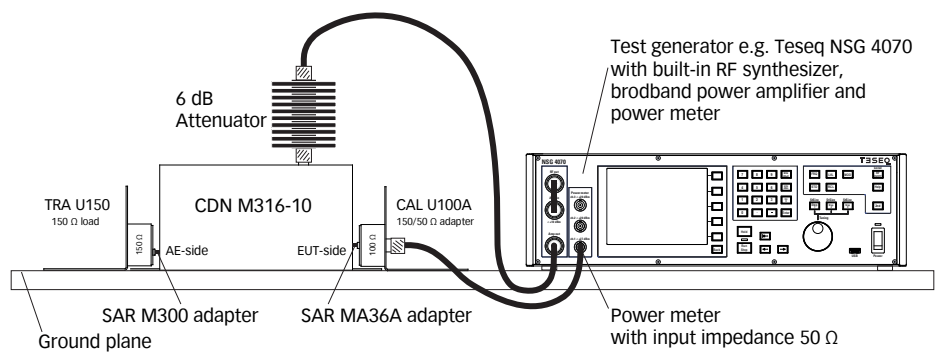
Advanced Test Solutions for EMC

# CDN M216-10, CDN M316-10 COUPLING / DECOUPLING NETWORK (CDN) CDN M TYPE FOR 10 KHZ to 80 MHZ

**Test set-up calibration with CDN M216-10**

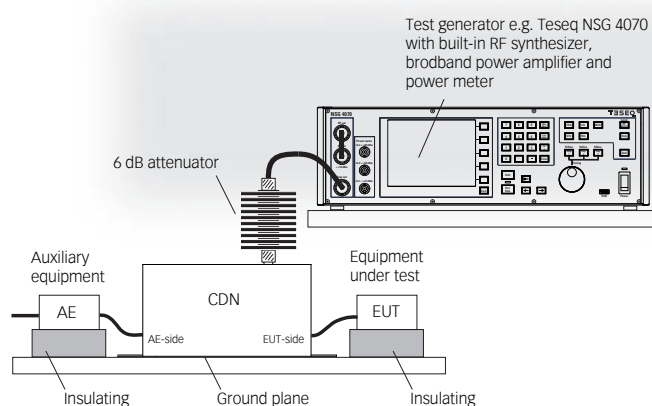


**Test set-up calibration with CDN M316-10**



# CDN M216-10, CDN M316-10 COUPLING / DECOUPLING NETWORK (CDN) CDN M TYPE FOR 10 KHz to 80 MHz

## EUT test set-up



## Delivery information

Part number	Description
242476	CDN M216-10 CDN M2, 16 A, 10 kHz-80 MHz (banana), L,N
242477	CDN M316-10 CDN M3, 16 A, 10 kHz-80 MHz (banana), L,N,PE
97-231024	CDN-TC Traceable calibration (ISO17025) for IEC 61000-4-6 requirements, order only with device CDN M, AF, S or T00x type
242401	CAL U100A Universal calibration unit in safety design (150 Ω /50 Ω adapter)
239903	TRA U150 Universal termination resistor 150 Ω AE side
239916	SAR MA20 Shorting adapter for CDN A201 and M216
242432	SAR MA20A Shorting safety adapter for CDN M216
242451	SAR M300 Shorting adapter for CDN M016 and M316
242434	SAR MA36A Shorting safety adapter for CDN M316, M316B and M325